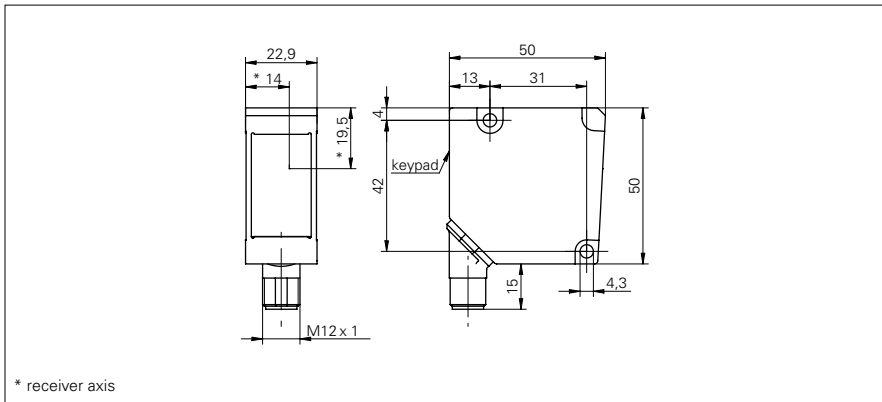


Edge sensors

ZADM 023H871.0001

dimension drawing



general data

type	measuring mode: edges, center, width
version	without filter for transparent objects
measuring field size (dep. on measuring dist.)	400 ... 875 mm
measuring distance (to object)	640 ... 1400 mm
measuring frequency	500 Hz
resolution	0,5 ... 1 mm
smallest object recognizable	8,5 ... 18 mm
linearity error relative	< 0,3 %
light source	pulsed infrared diode
wave length	880 nm
adjustment	Teach-in

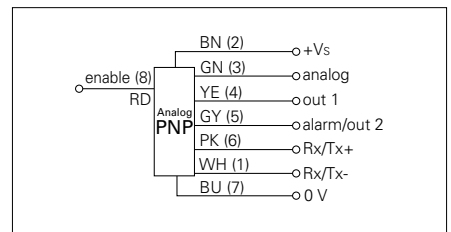
photo



electrical data

response time	< 2 ms
voltage supply range +Vs	15 ... 28 VDC
current consumption max. (no load)	150 mA
output signal	4 ... 20 mA
switching output	PNP
output function	Out 1 / Alarm
output current	< 100 mA
interface	analog and RS 485
baud rate	19200, adjustable
reverse polarity protection	yes, Vs to GND
short circuit protection	yes

connection diagram



mechanical data

width / diameter	23 mm
type	rectangular
housing material	die-cast zinc
front (optics)	glass
connection types	connector M12 8 pin, rotatable

ambient conditions

operating temperature	0 ... +55 °C
protection class	IP 67

